

BALLAST RELOCATION INSTRUCTIONS

E006.2

THESE INSTRUCTIONS WILL GUIDE YOU THROUGH THE PROCESS OF RELOCATING THE LIGHTING BALLAST IN A DIXIE-NARCO VENDING MACHINE FROM THE LOWER CABINET TO THE MAIN DOOR.

SAFETY PRECAUTIONS!



PLEASE READ THESE INSTRUCTIONS IN THEIR ENTIRETY BEFORE PROCEEDING.
INSURE THAT ELECTRICAL POWER IS DISCONNECTED FROM THE VENDING MACHINE BY REMOVING THE PLUG ON THE END OF THE VENDING MACHINE POWER CORD FROM THE WALL RECEPTACLE. FAILURE TO COMPLY WITH THESE INSTRUCTIONS MAY SUBJECT THE USER TO THE RISK OF INJURY OR ELECTRICAL SHOCK, WHICH CAN BE SERIOUS OR FATAL.



ORDER KIT NEEDED: **Ballast Relocation Kit (All Wide Venders)** **491,053,200.14**
 Ballast Relocation Kit (All Narrow Venders) **491,053,300.14**

Kit Contents:

		491,053,200.14	491,053,300.14
BALLAST MOUNTING PLATE (wide)	493,050,06x.x3	1	0
SCREW-SELF DRILLING WASHER	900,301,65x.x1	3	3
SEMS SCREW #10	900,301,97x.x1	4	4
CABLE TIE - LARGE	901,902,01x.x1	3	3
BALLAST MOUNTING PLATE (NARROW)	493,050,07x.x3	0	1
BALLAST RELOCATION INSTRUCTIONS	E006.1	1	1

STEP-BY-STEP

1. Unplug the vending machine power cord from the wall receptacle.
2. Remove the wire plug cover on the main door by removing two screws (see "A", figure 1).
3. Locate the 9-WAY ballast connector and disconnect it (see "B", figure 3).
4. The ballast is held in place by a tab in the rear and two screws in the front. Remove the ballast from the cabinet by removing the two Phillips head screws then sliding the ballast forward.
5. Reinstall the ballast on the new plate using the four (4) #10 sems screws (900,301,97x.x1).
6. Remove the clamp from the light harness in the bottom of the cabinet (see "A", figure 3).
7. Remove the wire (cable) ties from the harness between the door and cabinet and remove the lighting harness from the bundle (see "C", figure 3).
8. Inspect the harness for any signs of damage or previous repair. If any damage is noted, replace it with a new harness.
9. Route the lighting harness into the main door through the opening in the bottom doorframe (see figure 2).
10. Attach the wire harness connector to the ballast connector.
11. Position the ballast mounting plate below the delivery box and fasten using three (3) self-drilling washer screws (901,301,64x.x1). When properly assembled, the ballast will face the sign face and the ballast wires will exit facing the cash box.

12. Dress the harness in the bottom of the main door so that it does not contact the sign or fluorescent bulbs, nor lay in the bottom of the door. Position the 9-way connector under the ballast; bundle the excess wiring and secure with the large cable tie provided. The harness should be secured so that the 9-way connector remains under the ballast.
13. Replace the wire (cable) ties around the remaining harness between the door and the cabinet. Do not include the lighting harness in this bundle.
14. Replace the wire plug cover on the main door over the harness connectors and secure using the two screws removed in step #2 above.
15. Plug the vending machine power cord into the receptacle and verify proper operation.

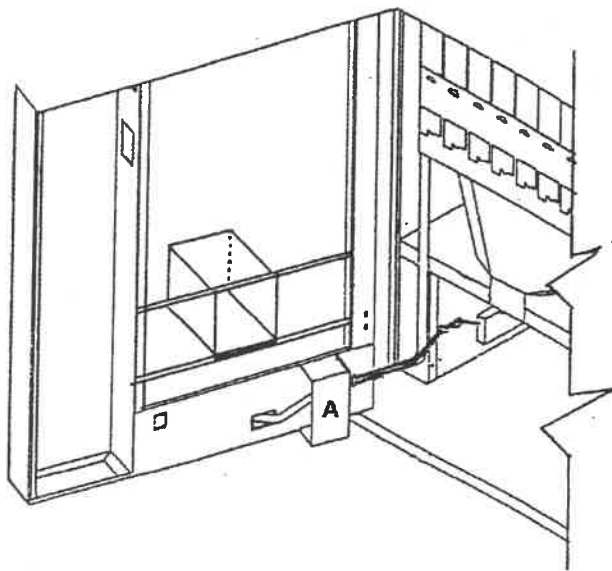


Figure 1

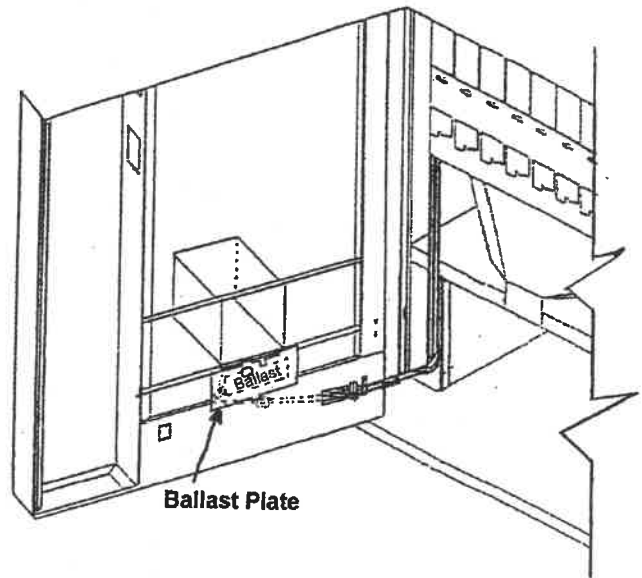


Figure 2

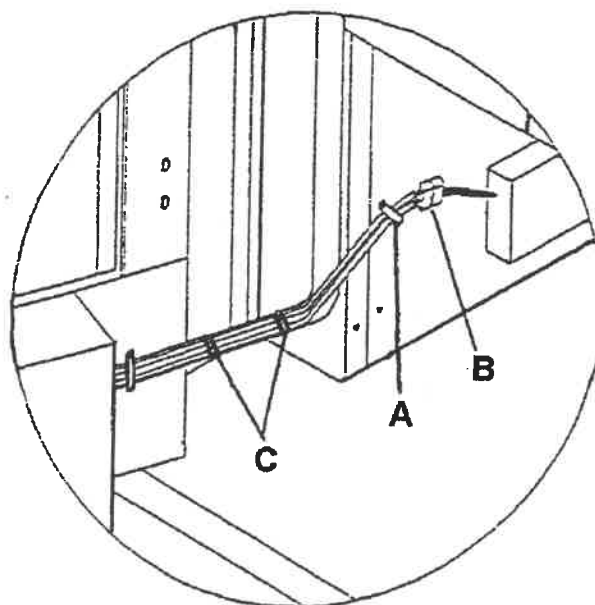


Figure 3